

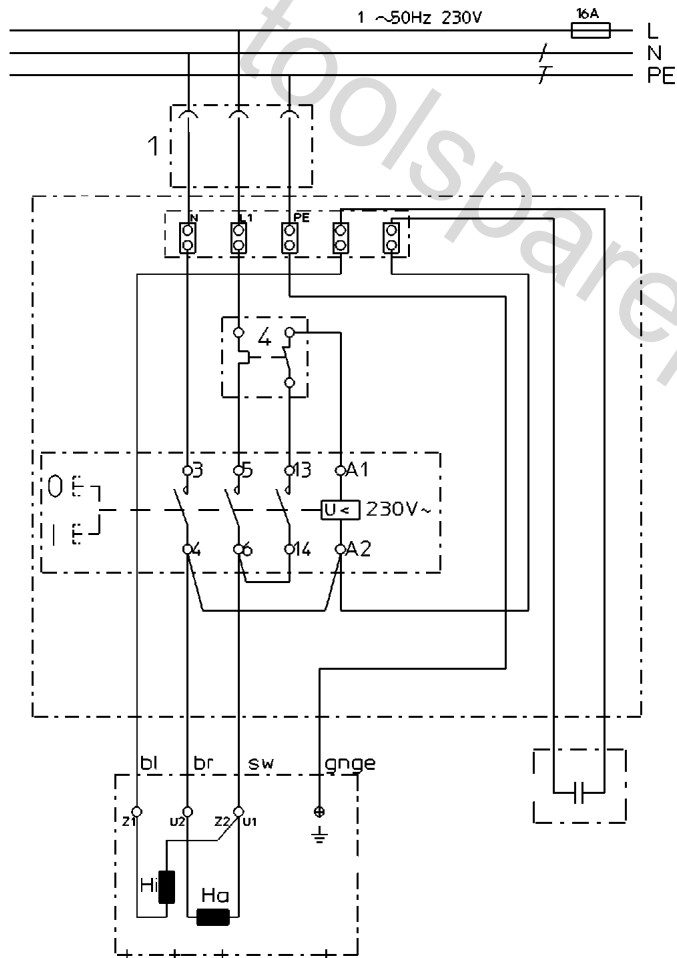
Position	Amount	Type number	Description	PG
1	1	1010693213	MOTOR, COMB. MITRE/TABLE SAW 2,00WN 230/	58
2	4	6205029131	HEXAGON THIN NUT	10
3	1	1010718887	TERMINAL BOX ASSEMBLY KGT 501 BOSCO	22
13	1	1385683339	POLY-RIB PULLEY	32
14	2	6300016705	Washer	10
15	1	6103680210	Hex head screw	13
16	1	7233677390	POLY-RIB BELT	30
17	1	1381208350	Gear box cover	23
18	10	141122540	Self-tap. fill. h. screw	10
19	1	1381120070	Plug	10
20	1	1385212158	SAW BLADE SPINDLE II	35
21	1	6721074089	Parallel key	10
23	1	7100010164	Ball bearing	21
24	1	6401121364	Retaining ring shaft	10
25	1	1385683347	POLY-RIB PULLEY	30
26	1	6300019984	Washer	10
27	1	6205088367	HEXAGON THIN NUT	10
28	2	6103001127	Hex head screw	10
29	1	1482680417	Holder tension spring	24
30	1	7006028220	Clamping lever	24
31	1	1485212970	Spacer sleeve	14
32	1	6168142046	Pin screw	15
33	15	6202002305	HEXAGON NUT, PREV. TORQUE TYPE	10
34	1	7053016795	Cup spring	10
35	1	6168121243	Pin screw	12
36	2	6172028215	Fillister head screw	10
37	2	141150110	Washer	10
38	1	1142209370	ANGLE SCALE 1,00 0-45 GRAD	14
39	1	1482208521	Pointer	13
40	1	1482208254	SWIVEL CASTING COVER PLATE	13
41	2	6205028038	HEXAGON THIN NUT	10
42	2	6300016713	Washer	10
43	2	6161029309	Grub screw	10
44	1	1380676016	SWIVEL CASTING KGT 501	39
45	14	141151940	Washer	10
46	1	1381212013	Exhaust nozzle	28
47	1	141116840	Self-tap. fill. h. screw	10
48	1	1385209408	MOTOR HEAD AXLE	30
49	1	1485209421	CHECK NUT	17
50	1	6306110550	Shim	10
51	1	1390208053	Gear housing	43

52	1	6202128341	HEXAGON NUT, PREV. TORQUE TYPE	10
53	2	7051214220	Tension spring	14
54	2	6127151537	Cap screw	10
55	1	1010680200	Guide rod,KGT 501	45
56	1	6307121334	Washer	10
57	1	1485208425	TURN HANDLE, DEPTH OF CUT RD 49,5X63	31
58	1	1485208395	nut	19
59	1	1485208387	Guide rod	34
60	1	1010130472	Guide piece	35
61	2	6503001681	Tightening pin	10
62	1	1485208360	MANDREL RD 12X75	21
63	2	7051202931	Pressure spring	10
64	1	6163121261	Grub screw	10
65	1	1485208379	Guide piece	33
66	3	6205028046	HEXAGON THIN NUT	10
67	5	7058028481	RUBBER-METAL ANTI-VIBR. MOUNT	14
68	3	6162019358	Grub screw	10
69	9	6209114230	Flange nut	10
70	4	6103121416	Hex head screw	10
71	12	141150130	Washer	10
72	1	6400121395	Retaining ring shaft	10
73	2	7005215360	Thumb-nut	15
74	1	7104120150	Inner ring	25
75	1	7104120142	Needle sleeve	26
76	1	1385208061	BLADE SHAFT HUB	36
77	2	1485209480	COLLAR SCREW	13
78	1	1485208417	Bolt	24
79	1	1485208409	AXLE RD 10X200	20
80	1	1380213547	PARALLEL ARM	26
81	1	1485213534	CAM PLAT SW 17X13 /BOHRG. 6,0	18
82	1	141113890	Cap screw	12
84	2	1485214239	COLLAR SCREW, RETURN SPRING	13
90	1	7051693412	Return spring	14
91	2	1382693546	Zugblech KGT501	18
92	1	1485412910	Spacer sleeve	12
93	1	7005135529	Thumb-nut	12
94	1	6103001151	Hex head screw	10
95	1	7006072385	Clamping lever	18
96	4	141150810	Washer	10
99	6	141150010	Washer	10
100	10	6172001791	Fillister head screw w. cross head	10
101	1	1142209361	Angle scale,2X0-45 Grad	22

102	2	1382693538	COVER PLATE KGT501N	19
103	1	1142680307	SCALE 0,50X13X273 0,00-25,30 CM	18
105	2	6172091014	Fillister head screw	10
106	2	6143698341	Cap screw	11
107	5	141150020	Washer	10
108	2	1482680298	FENCE CLAMP KGT 501	19
109	1	1384680271	Stop left,KGT 501	24
110	1	1384680280	FENCE, RIGHT 25,5X36X205 KGT 501	24
111	1	1485208581	BOLT	18
112	15	141151340	Washer	10
113	1	1380693310	Table,KGT501N	58
114	1	1010698878	SAW BLADE GUARD WITH SUCTION PORT	33
115	1	1485208565	SETTING CAM	30
116	1	7051120161	Pressure spring	10
117	1	1485208557	MANDREL RD 14X59 / M 6X15	19
118	1	1010130430	SETTING CAM ASSEMBL	30
119	1	1380679600	TURNTABLE KGT501	50
120	2	1380692151	TURNTABLE RING, FRONT, LE + RI KGT501(N	20
122	16	6132175169	Countersunk screw	10
123	1	1010126491	Covering hood	29
124	1	6501145678	CENTRE-GROOVED DOWEL PI	10
125	1	1485208921	BOLT	14
126	1	1381212480	Covering hood small	22
127	1	1482208912	LOCATING PLATE, BLADE GUARD	19
128	3	6621010474	BLIND RIVET, MUSHROOM HEAD	10
129	1	1383158458	RIP FENCE EXTRUSION 570 MM	31
130	1	1383680260	Angle,KGT 501	30
131	2	6110031325	Truss head screw	10
132	1	1382680053	Locking element	33
133	1	7016050711	STARLOCK	10
134	1	2390205484	Cam lock lever	19
135	1	1392205620	Clamping plate,BL 1X26X91,5	12
136	1	6632111175	BOLT WITH HEAD	13
137	2	6132087995	Countersunk screw	10
138	3	6241125058	Knurled nut	12
140	1	1010680243	Parallel guide,KGT501/TKHS	44
146	1	1380692364	TURNTABLE RING, REAR RIGHT KGT501(NEU)	20
147	1	1380692356	TURNTABLE RING, REAR, LEFT KGT501(NEU)	20
149	2	1381682397	Cover cap,KGT 501	10
160	1	1390208134	COVER, SAW BLADE HOUSING	31
161	1	1010693469	Safety guard,KGT501N	45
162	1	1380693506	RETRACTABLE BLADE GUARD TEIL 2 KGT501N	35

163	2	1381679728	Bushing,KGT 501	15
164	1	1380693476	Safety guard part1,KGT501N	35
166	1	6502132685	Cylindrical pin	10
167	2	1395203130	WIRE PIN	12
170	1	1010680170	SAW BLADE HOUSING KGT 501	45
171	1	1395200611	BEARING BOLT	14
174	1	1482680034	LEVER KGT 501	25
175	1	1380679627	SAW BLADE HOUSING KGT501	36
176	1	2390202787	BLADE GUARD LEVER	24
177	2	6172121304	Fillister head screw	10
178	1	1381208440	Handle	25
179	2	6174155800	Self-tapp. counters. screw	10
180	1	6306121349	Shim	10
181	1	1485208085	Hex nut flat	21
182	1	6103680164	Hex head screw	12
184	1	1390208207	PRESSURE PIECE, RIVING KNIFE	21
185	1	1382208982	SHIM PLATE BL 0,5X42X35	13
186	1	1485212147	BLADE COLLAR, OUTER	23
187	1	6121000839	Cap screw	10
188	1	1485212139	Flange	27
189	1	141180170	Retaining ring	10
190	1	6306079067	Shim	10
191	6	6125121282	Flat headed screw	12
192	2	1381208482	WHEEL	10
193	1	2391203906	PLUG-IN BUFFER	10
194	1	1482208238	PRESSURE PLATE, RIVING KNIFE	13
195	1	1482208297	Riving knife small	27
196	1	141122680	Self-tapp. hexag. h. screw	10
197	1	6306121357	Shim	10
198	1	6400121379	Retaining ring shaft	10
199	1	1010131819	RUBBER-METAL ANTI-VIBR. MOUN SEITENTEIL	16
200	1	1010680235	RUBBER-METAL ANTI-VIBR. MOUNT KGT 501	19
201	2	141130100	Hexagonal nut	10
202	1	6127059207	Cap screw	10
203	1	8050120172	Condenser	28
204	1	6209110995	Flange nut	10
207	1	9102017894	ALLEN HEXAGON KEY	10
208	1	9102016766	ALLEN HEXAGON KEY	12
209	1	9102043577	ALLEN HEXAGON KEY	14
210	1	1394201630	Push stick	19
211	2	1485676275	Threaded rod	21
212	2	1383676262	CONNECTING TUBE	29

213	1	1010130421	LOCK	26
214	1	7051208573	Coil spring	18
215	1	1380676245	Side panel right	49
216	2	1485208590	Bushing side panel	15
217	2	141114060	Cap screw	12
218	2	1381677385	SPACER RD20/6X27	13
219	2	6162148646	Grub screw	12
220	1	1380677411	Side panel left	49
221	8	7057650880	Rubber foot	12
223	4	6102045619	Hex head screw	10
224	1	1010213300	SWITCH ASSEMBLY 230V 50HZ M.KABEL+KONDEN	58
225	1	1382684845	SWITCH PLATE	26
227	2	6103015675	Hex head screw	10
228	3	1391059264	Lamellar plug black	10
229	1	1383676475	LEG	29
230	2	1383676491	Rider,KGT 501	36
231	8	6208073395	CAP NUT, SELF-LOCKING	10
232	1	2010200787	ADJUSTABLE FOOT ASSEMBLY VERSTELLBAR	25
233	4	1485676500	Spacer sleeve	14
234	4	7016122305	STARLOCK	10
235	4	7051653690	Spring clip	14
236	4	1482653681	Latch	18
237	1	1381655616	FASTENING CLAMP	13
238	1	6172001830	Fillister head screw	10
240	1	8242680333	Cable clip	12
241	1	1482208629	Latch rear	14
242	1	1482208645	Feed rod locking	18
243	2	1485208603	THREADED BOLT	13
245	2	1485208611	HEXAGON FIT BOLT	19
246	2	141180010	Retaining ring	10
247	1	1482208637	Latch in the front	15
248	2	1383653653	LEG	29
249	1	1382680185	RETAINING CLIP KGT 501	13
250	4	6622653042	MUSHROOM HEAD RIVET 5X40	10
251	1	1383676467	LEG	28
252	8	6110059297	Truss head screw	10
253	1	6143683522	Hex head screw	10
256	1	141121940	Cap screw	12



	Litzenfarben	Colour of strands	Couleur des cordons
BK	schwarz	black	noir
WH	weiß	white	blanc
BU	blau	blue	bleu
YE	gelb	yellow	jaune
RD	rot	red	rouge
TR	transparent	transparent	transparent
BN	braun	brown	brun
GY	grau	grey	gris
GNYE	grün-gelb	green-yellow	vert-jaune
BKWH	schwarz-weiß	black-white	noir-blanc
GN	grün	green	vert
OG	orange	orange	orange
VT	violett	violet	violet
TQ	türkis	turquoise	turquoise

	Bedeutung der Kurzzeichen	Meaning of the symbols	Interprétation des symboles
B	Stecker	plug	fiche
C	Kondensator	condenser	condensateur
D	Funkentstördrossel	interference suppression inductance	inductance d'antiparasitage
E	Elektronik-Baustein	electronic unit	unité électronique
I	Induktionsspule	induction coil	bobine d'inductance
K	Klemme	terminal	borne
L	Licht	light	lumière
M	Motor	motor	moteur
O	Überlastschutz	overload cut-out	déclencheur de surintensité
R	Drehrichtungsumschalter	reversing switch	commutateur droite-gauche
S	Schalter	switch	interrupteur
U	Umschalter	change-over switch	commutateur
X	Elektronik-Element	electronic element	élément électronique